

Neenah R-4990-AX Unbolted

Series

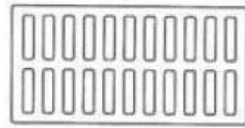
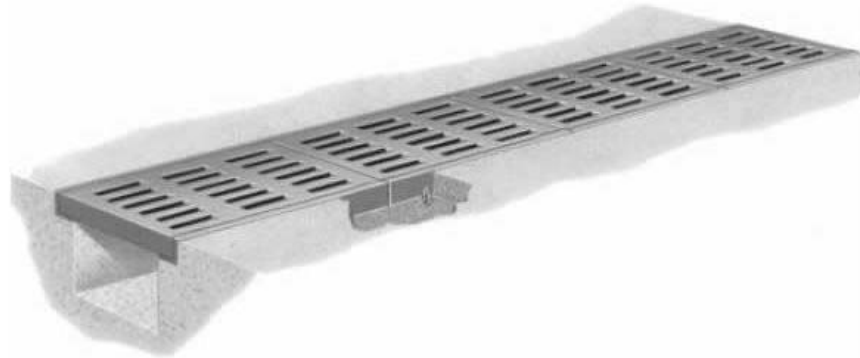
R-4990-AX

Cut Sheet

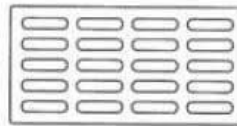
8" Wide Unbolted

8" Wide NEENAH Unbolted Heavy Duty Trench Drain Grates and Frames

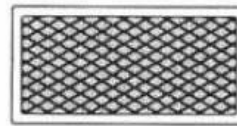
Product ID: R-4990-AX



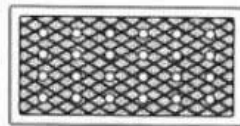
TYPE A
GRATE OPENINGS



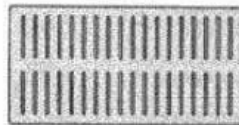
TYPE C
GRATE OPENINGS



TYPE D
SOLID LID



TYPE E
VENTED LID



TYPE P
GRATE OPENINGS

8" Wide Unbolted Neenah R-4990-AX Series Trench Grate

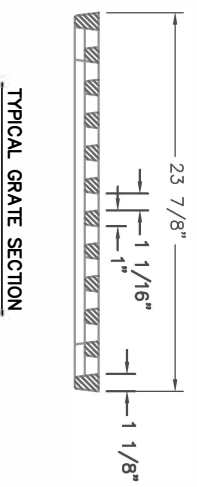
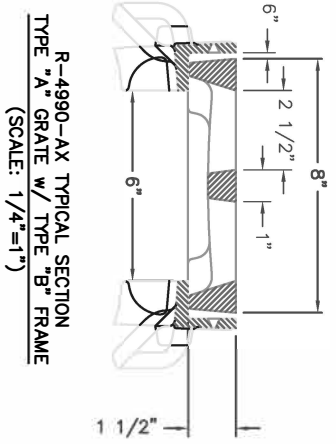
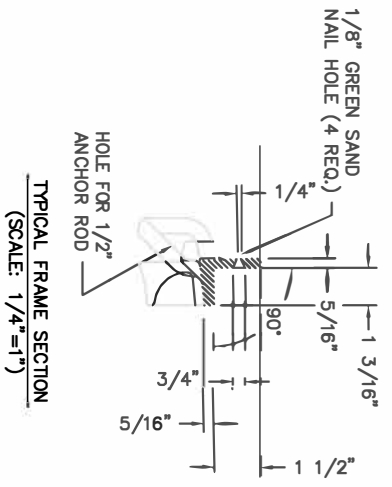
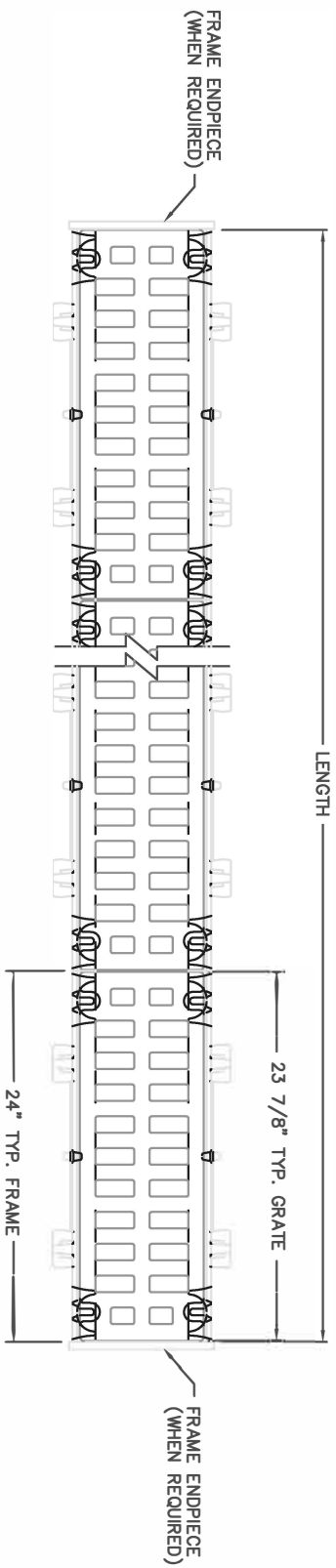
8"W X 24"L X 1 1/2"D

Choose Type A,C,D,E,P

Materials: All frames and grates/lids are furnished standard in gray iron, meeting ASTM-A48 Class 35-B for heavy-duty use. In Type A and P grates the slots are perpendicular to the trench run. In Type C and Q grates the slots are parallel with the trench run.

Neenah recommends project designers avoid the use of light duty trench installations because it is likely that applications will be subjected to heavy delivery vehicle traffic at some time. Furthermore, the use of a site could be changed to heavy duty use patterns at some unanticipated future date.





NOTES: MEETS H20 LOAD RATING. FRAMES ARE FURNISHED IN STANDARD 2'-0" INCREMENTS. GRATES FURNISHED IN STANDARD 2'-0" INCREMENTS. SPECIAL LENGTH GRATES CAN BE FURNISHED FOR ANY OVERALL LENGTH.

COMPONENT NO'S: SIDE P.C. FRAME 4999-2415; END P.C. FRAME 4990-3108; GRATE 4990-3081

MATERIAL: CAST GRAY IRON ASTM A-48, CLASS 35B

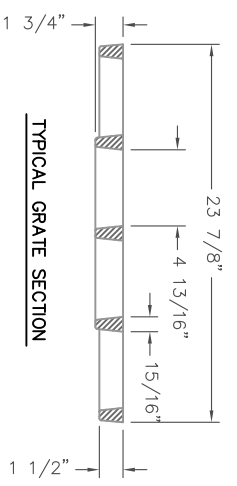
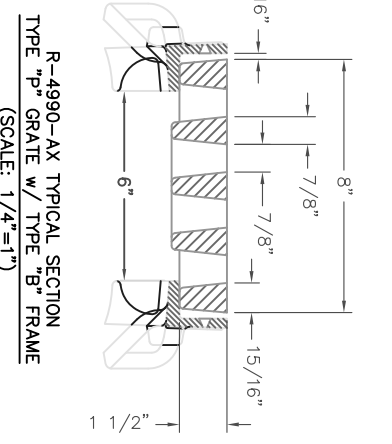
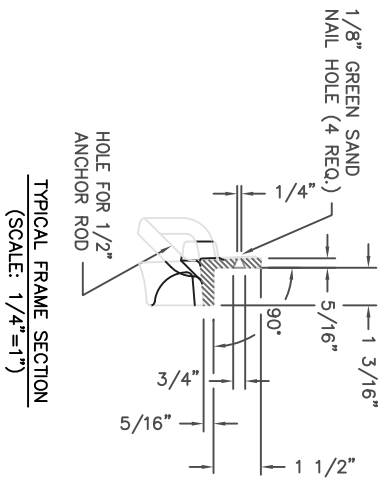
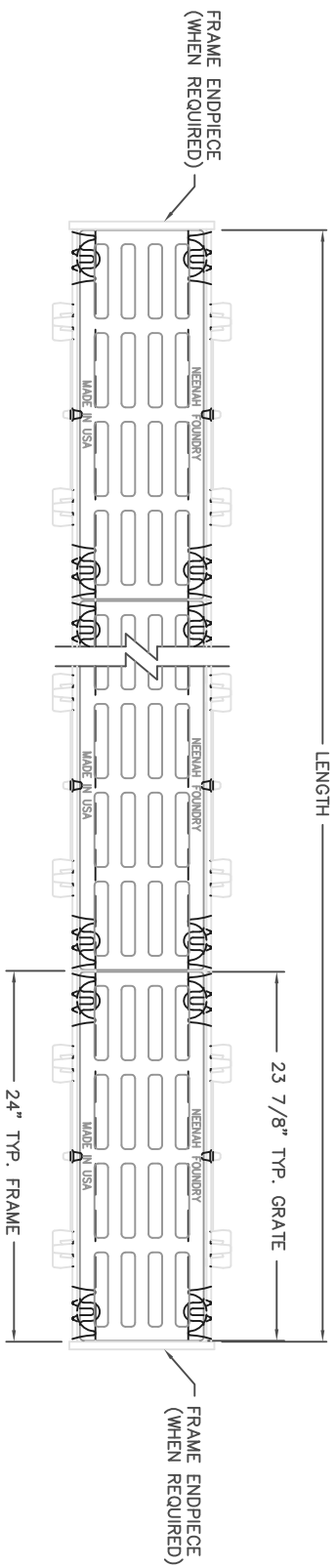
FINISH: NO PAINT

TRENCH DRAIN SUPPLY

877-903-7246

www.trenchdrainsupply.com

DR.	CAG	SCALE	TITLE
CH.	RKB	1/8"=1"	R-4990-AX TRENCH TYPE "A" GRATE w/ TYPE "B" FRAME
APP.	SPT		
DATE	09-03-2013		
www.neenahfoundry.com		NEENAH FOUNDRY	
		NEENAH WISCONSIN 54956 LINCOLN, NEBRASKA 68629 PHONE 800-556-8075 PHONE 800-234-7488	
			NF-4990AX A B



NOTES: FRAMES ARE FURNISHED IN STANDARD 2'-0" INCREMENTS. GRATES ARE FURNISHED IN STANDARD 2'-0" INCREMENTS. SPECIAL LENGTH GRATES CAN BE FURNISHED FOR ANY OVERALL LENGTH.

COMPONENT NO'S: SIDE P.C. FRAME 4999-2415; END P.C. FRAME 4990-3108; GRATE 4990-3083

MATERIAL: CAST GRAY IRON ASTM A-48, CLASS 35B
FINISH: NO PAINT

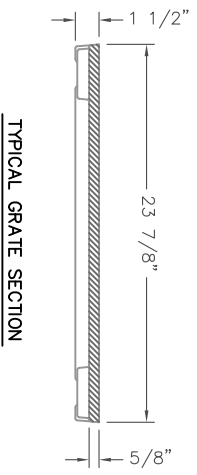
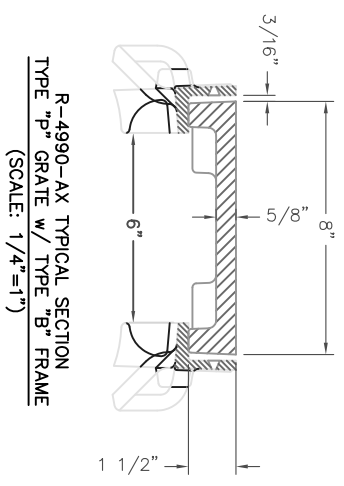
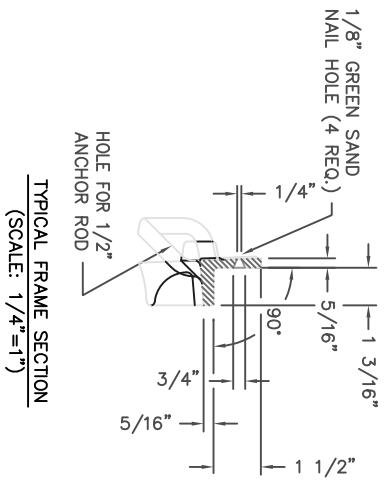
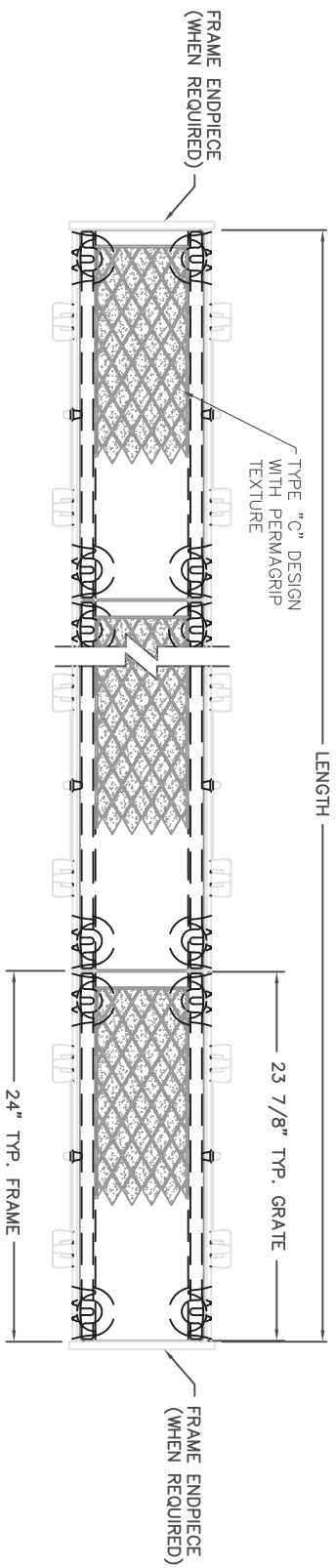
Supplied By:

TRENCHDRAIN SUPPLY

877-903-7246

www.trenchdrainsupply.com

DR.	CAG	SCALE	TITLE
CH.	RKB	1/8"=1"	R-4990-AX TRENCH TYPE "C" GRATE w/ TYPE "B" FRAME
APP.	SP1		
DATE	09-03-2013		
www.neenahfoundry.com		NEENAH FOUNDRY	
		NEENAH WISCONSIN 54956 PHONE: 800-586-8075 LINCOLN, NEBRASKA 68529 PHONE: 800-234-7466	
		NF-4990AX C B	



NOTES: FRAMES ARE FURNISHED IN STANDARD 2'-0" INCREMENTS. GRATES ARE FURNISHED IN STANDARD 2'-0" INCREMENTS. SPECIAL LENGTH GRATES CAN BE FURNISHED FOR ANY OVERALL LENGTH.

COMPONENT NO'S: SIDE P.C. FRAME 4999-2415; END P.C. FRAME 4990-3108; GRATE 4990-3084

MATERIAL: CAST GRAY IRON ASTM A-48, CLASS 35B

FINISH: NO PAINT

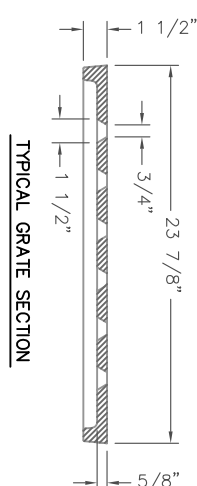
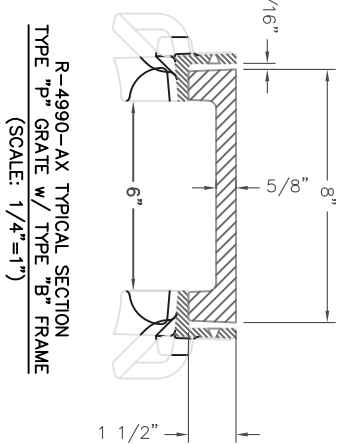
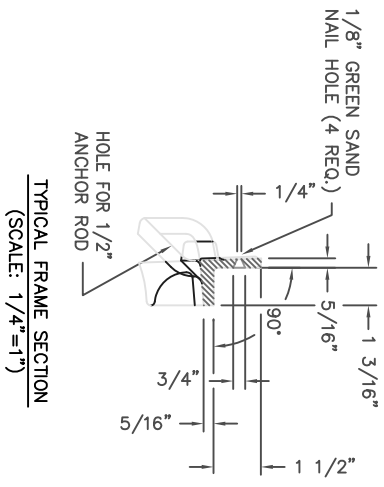
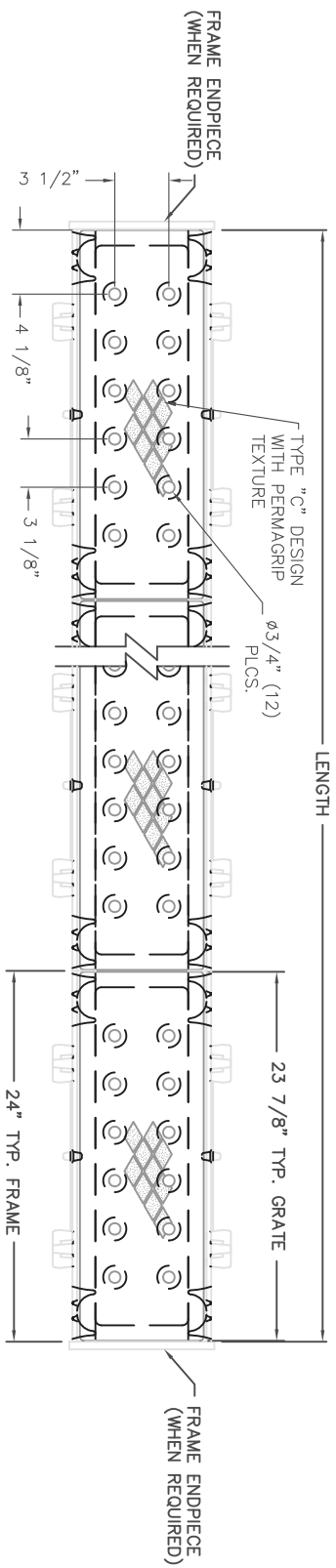
Supplied By:

TRENCH DRAIN SUPPLY

877-903-7246

www.trenchdrainsupply.com

DR.	CAG	SCALE	TITLE
CH.	RKB	1/8"=1"	R-4990-AX TRENCH TYPE "D" LID w/ TYPE "B" FRAME
APP.	SP1		
DATE	09-03-2013		
www.neenahfoundry.com		NEENAH FOUNDRY	
		NEENAH WISCONSIN 54956 LINCOLN, NEBRASKA 68629 PHONE 800-586-8075 PHONE 800-234-7466	
			NF-4990AX D B



NOTES: FRAMES ARE FURNISHED IN STANDARD 2"-0" INCREMENTS. GRATES ARE FURNISHED IN STANDARD 2"-0" INCREMENTS. SPECIAL LENGTH GRATES CAN BE FURNISHED FOR ANY OVERALL LENGTH.

COMPONENT NO'S: SIDE P.C. FRAME 4999-2415; END P.C. FRAME 4990-3108; GRATE 4990-3085

MATERIAL: CAST GRAY IRON ASTM A-48, CLASS 35B

FINISH: NO PAINT

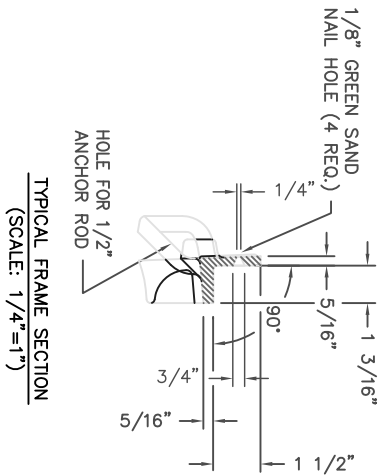
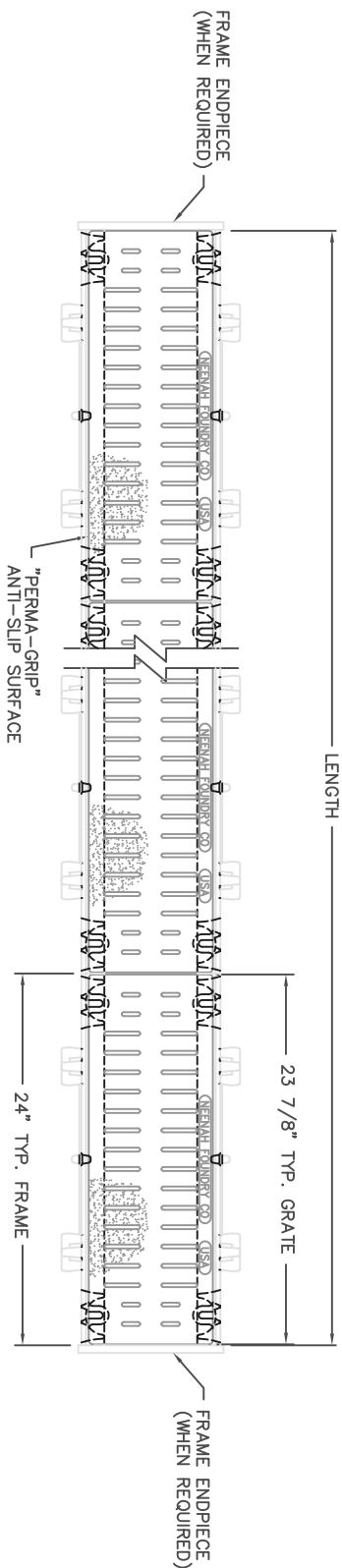
Supplied By:

TRENCHDRAIN SUPPLY

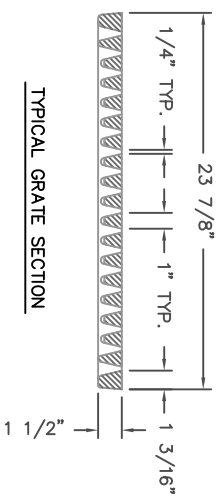
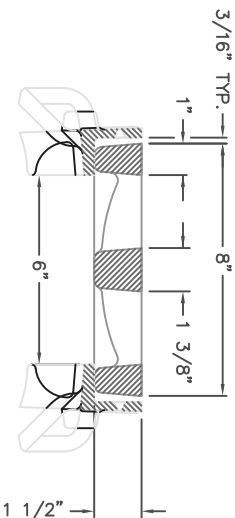
877-903-7246

www.trenchdrainsupply.com

DR.	CAG	SCALE	TITLE
CH.	RKB	1/8"=1"	R-4990-AX TRENCH TYPE "E" VENTED LID w/ TYPE "B" FRAME
APP.	SP1		
DATE	09-03-2013		
www.nseandfoundry.com		NEENAH FOUNDRY	
		NEENAH WISCONSIN 54956	
		LINCOLN, NEBRASKA 68629	
		PHONE: 800-586-8075	
		PHONE: 800-234-7466	
		NF-4990AX E B	



R-4990-AX TYPICAL SECTION
TYPE "P" GRATE w/ TYPE "B" FRAME
(SCALE: 1/4"=1")



NOTES: FRAMES ARE FURNISHED IN STANDARD 2'-0" INCREMENTS. GRATES ARE FURNISHED IN STANDARD 2'-0" INCREMENTS. SPECIAL LENGTH GRATES CAN BE FURNISHED FOR ANY OVERALL LENGTH.

COMPONENT NOS: SIDE PC. FRAME 4999-2415; END PC. FRAME 4990-3108; GRATE 4990-3089

MATERIAL: CAST GRAY IRON ASTM A-48, CLASS 35B

FINISH: NO PAINT

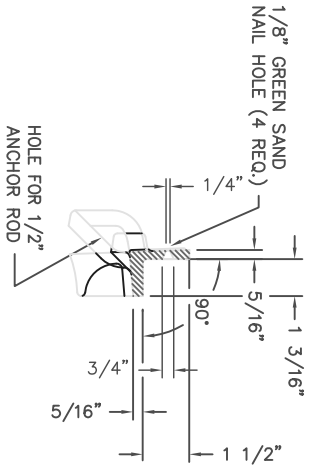
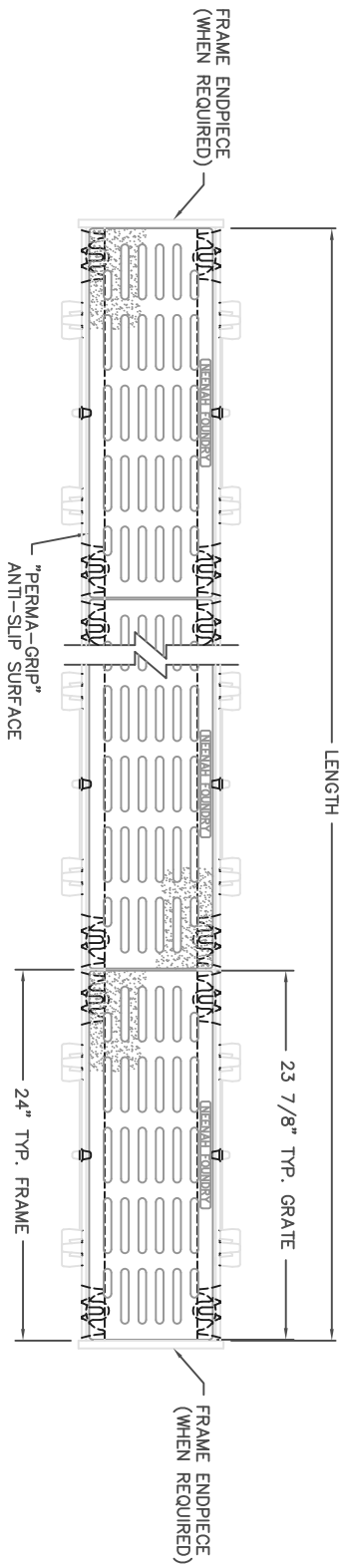
Supplied By:

TRENCHDRAIN
S U P P L Y

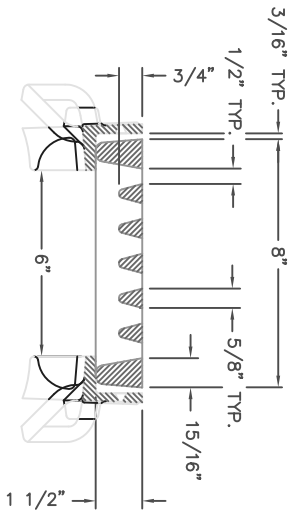
877-903-7246

www.trenchdrainsupply.com

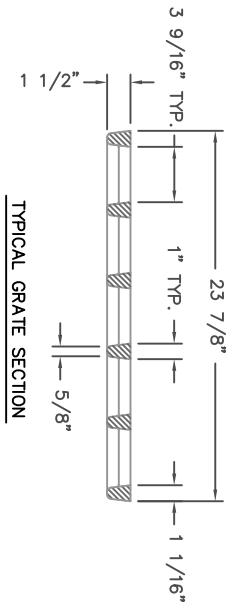
DR.	E. NIVER	SCALE	TITLE:
CH.		1/8"=1"	R-4990-AX TRENCH
APP.		DWG CHK.	TYPE "P" GRATE w/ TYPE "B" FRAME
DATE	11-01-2011		NEENAH FOUNDRY COMPANY KENAHI WISCONSIN 54985
			NEENAH
			NF-4990AX PB



TYPICAL FRAME SECTION
(SCALE: 1/4"=1")



R-4999-AX TYPICAL SECTION
TYPE "Q" GRATE w/ TYPE "B" FRAME
(SCALE: 1/4"=1")



TYPICAL GRATE SECTION

NOTES: FRAMES ARE FURNISHED IN STANDARD 2'-0" INCREMENTS. GRATES ARE FURNISHED IN STANDARD 2'-0" INCREMENTS. SPECIAL LENGTH GRATES CAN BE FURNISHED FOR ANY OVERALL LENGTH.

COMPONENT NO'S: SIDE PC. FRAME 4999-2415; END PC. FRAME 4990-3108; GRATE 4990-308X (NEW PATTERN)

MATERIAL: CAST GRAY IRON ASTM A-48, CLASS 35B

FINISH: NO PAINT

TRENCH DRAIN SUPPLY
877-903-7246
www.trenchdrainsupply.com

CAD DWG. REF: 4990AX.Q.DWG-1

DR.	E. NIVER	SCALE	TITLE
CH.		1/8"=1"	R-4990-AX TRENCH TYPE "Q" GRATE w/ TYPE "B" FRAME
APP.		DIM. CHK.	NEENAH FOUNDRY COMPANY NEENAH WISCONSIN 54956
DATE	11-01-2011		NF-4990AX QB

R-4990 HEAVY DUTY TRENCH

Materials: All frames and grates/lids are furnished standard in gray iron, meeting ASTM-A48 Class 35-B for heavy-duty use. For extra heavy-duty use or superior durability requirements, see our ductile iron Airport and Port Grating Series on page 286.

Neenah recommends project designers avoid the use of light duty trench installations because it is likely that applications will be subjected to heavy delivery vehicle traffic at some time. Furthermore, the use of a site could be changed to heavy duty use patterns at some unanticipated future date.

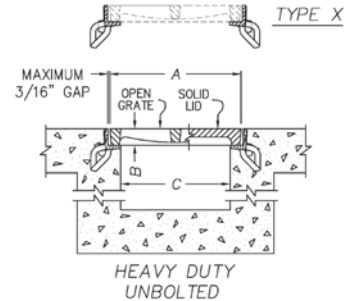
Dimensions in inches

Un-Bolted Catalog No.	A	B	C	Type A	Type C	Type D	Type E	Type P	Type Q
R-4990-AX	8	1 1/2	6	x	x	x	x	x	
R-4990-BX	10	1 1/2	8	x	x	x	x	x	
R-4990-CX	12	1 1/2	10	x	x	x	x	x	x
R-4990-DX	14	1 1/2	12	x	x	x	x	x	x
R-4990-EX	17	1 1/2	15	x	x	x	x	x	
R-4990-FX	20	1 1/2	18	x	x	x	x	x	
R-4990-GX	23	1 1/2	21	x	x*	x			
R-4990-HX	26	1 1/2	24	x	x*	x	x		x
R-4990-JX	30	2	27	x	x	x			
R-4990-KX	33	2	30	x	x	x*	x		
R-4990-LX	36	2	33	x	x	x*			
R-4990-MX	39	2	36	x	x*	x			
R-4990-NX	45	2	42	x	x*	x			
R-4990-OX	51	2	48	x		x*			

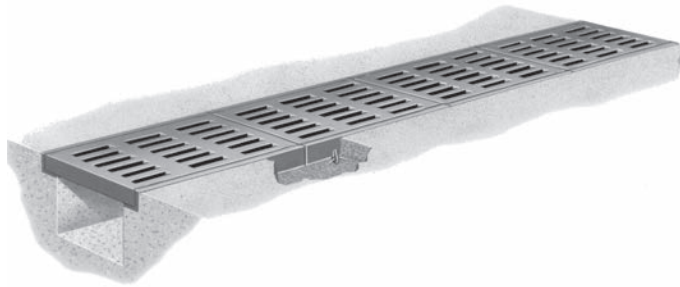
x - Indicates availability.

* Deep Ribs (consult shop drawing for dimensions).

Deep Ribs = "B" dimension times 2 or greater.



General schematic shown may not apply to all designs. Bar and rib depths, plate thicknesses and seating widths vary on different sizes and styles. If your project has design restrictions, contact your sales representative or product engineering.



Illustrating Type C trench. Trench sections are furnished in 24" standard lengths.

Note: In Type A and P grates the slots are perpendicular to the trench run. In Type C and Q grates the slots are parallel with the trench run.

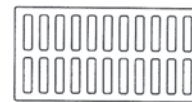
Read Carefully Before Ordering

The various standard trench drains are available with a number of alternatives. It is important to examine all of the variables carefully and specify your requirements fully. Your order will be entered correctly and promptly if it includes the following information:

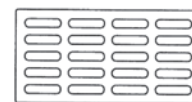
- Complete catalog number
- Frame end pieces, when required
- Type of Lid or Grate: A, C, D, E, P or Q
- Length of trench sections
- Angles and intersections *
- Load requirements

*Trenches with angles, intersections, size changes or other special requirements require detail drawings prior to ordering. Contact your sales representative or product engineering for assistance.

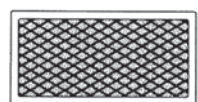
800-558-5075



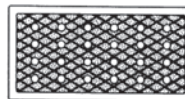
TYPE A
GRATE OPENINGS



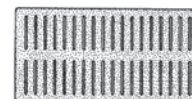
TYPE C
GRATE OPENINGS



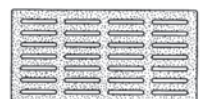
TYPE D
SOLID LID



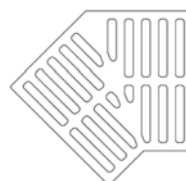
TYPE E
VENTED LID



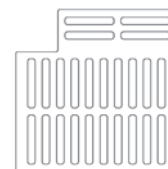
TYPE P
GRATE OPENINGS



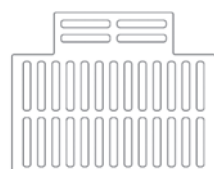
TYPE Q
GRATE OPENINGS



TYPE A
45 DEGREE
INTERSECTION PC.



TYPE A
90 DEGREE
INTERSECTION PC.



TYPE A
"T" INTERSECTION PC.

Note: 45°, 90° and "T" available in limited sizes and types.

Suggested Forming Instructions for R-4990 Frame and Grate/Lid

Unbolted Units

A typical installation is shown in Figure 1. Details and suggestions are based on using the Neenah Foundry Type X Frame.

Materials

Under normal situations, use 3/4 inch plywood for forming walls. 2x4s are suitable for studs, plates, bracing and spreaders.

Forming Procedures

Pour the floor slab of the trench according to the plans and specifications. The width of the forming, (see Figure 2) measured from the outside edges of the forms, corresponds to the "C" dimension on Figure 1. During the entire forming procedure, verify that the forms are plumb, straight, solid and level.

The height of the form corresponds to the final grade elevation. Extend the spreaders beyond the edge of the forms (see Figure 3 and 4) to provide a stop for the frame and seat form.

To attach the cast iron frame to the forming, the use of a "seat form" is recommended to assure that the frame is at the proper elevation and true. The seat form has the same dimensions as the frame, with the height corresponding to the frame height (the "B" dimension), and the width the same as the seat width of the frame. The seat width should be field measured to assure as proper fit. All Neenah frames have a slight radius at the corner of the seat and vertical face so the seat form should be beveled to accommodate the radius. Most 2x4's have this radius.

Nail the seat form to the frame using the holes in the frame. (Figures 3 & 4)

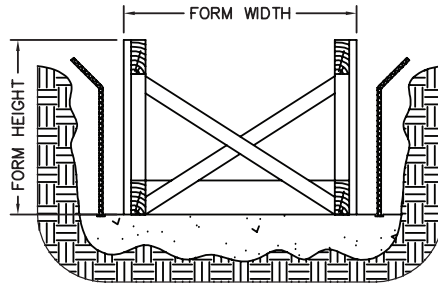
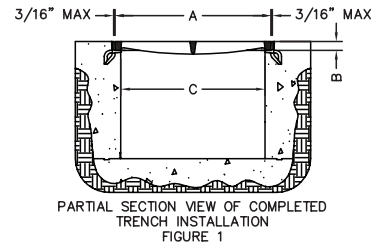


FIGURE 2

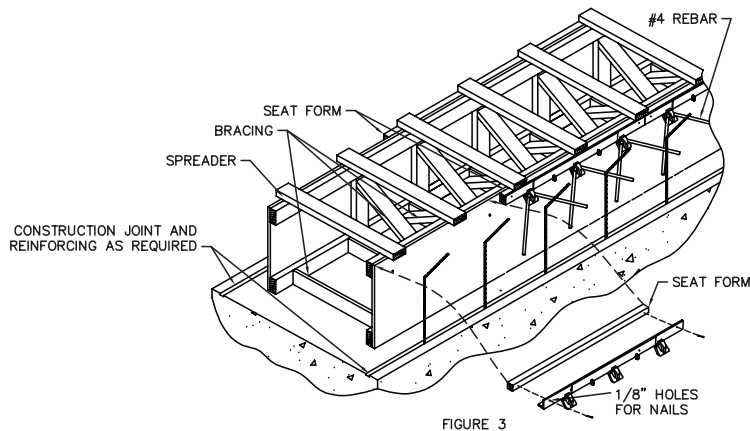


FIGURE 3

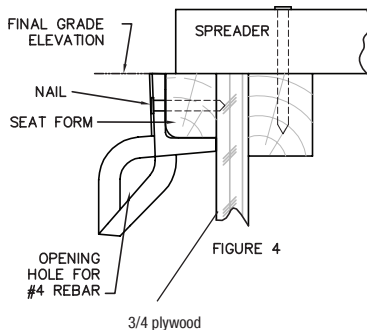


FIGURE 4

(The rebar shown in the vertical walls of the trench is for illustrative purposes only. Proper sizing and placement is the responsibility of the engineering firm providing the project design.)

Frames should butt together snugly, leaving as little gap as possible. Place a 90 degree bent #4 rebar through the holes in the anchor lugs to provide anchorage in the concrete. Verify the space between the edges of the grate and frame so grates will fit properly. There should be a gap but no greater than 3/16" (see Figure 1).

Pour concrete and use the top edge of the frame as a screed point.

Supplied By:

**TRENCHDRAIN
SUPPLY**

877-903-7246

www.trenchdrainsupply.com